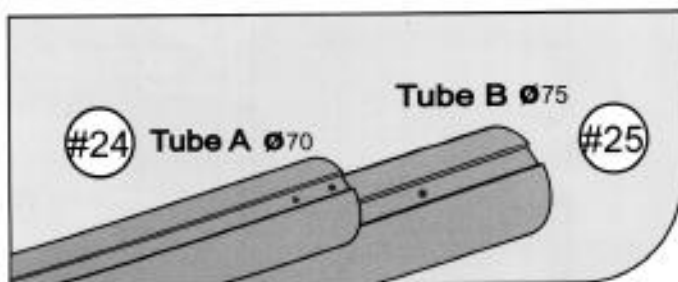
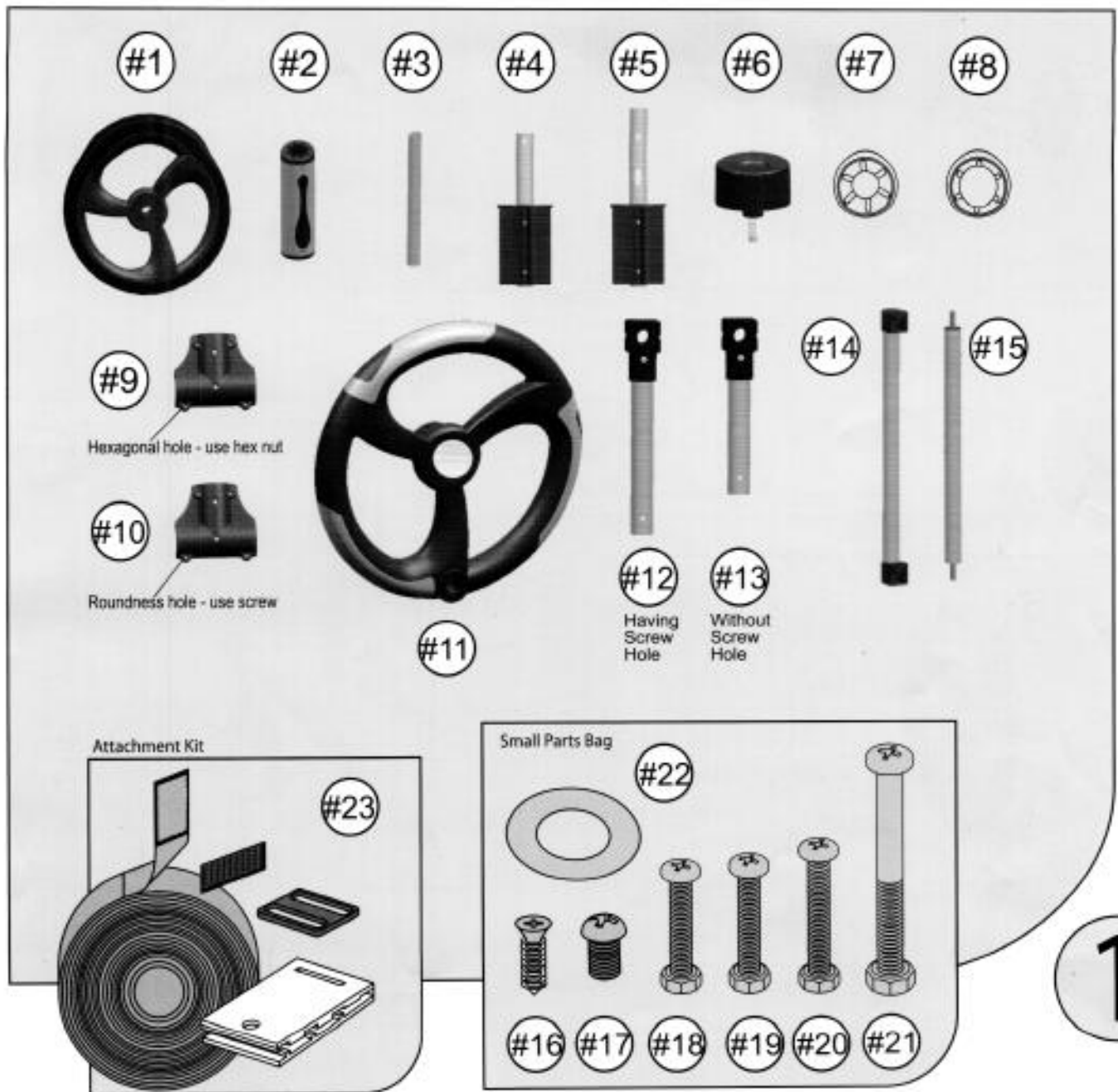


Inground Pool Cover Reel



Ref	Name	Qty	Ref	Name	Qty
#1	Wheel	2	#14	Near hand wheel holder	1
#2	Handle	1		horizontal pipe	1
#3	Handle spindle	1	#15	Farther hand wheel holder	1
#4	Fixing piece farther hand wheel	1		horizontal pipe	1
#5	Fixing piece near hand wheel	1	#16	GB/T846 ST3.9*9.5	4
#6	Break knob	1	#17	GB/T818 M6*6	6
#7	Wheel cap	2	#18	GB/T818 M4*25	6
#8	Handle cap	2	#19	GB/T818 M4*28	1
#9	Plastic holder A	2	#20	GB/T818 M5*45	4
#10	Plastic holder B	2	#21	GB/T818 M6*65	1
#11	Hand wheel	1	#22	Big washer	1
#12	Near hand wheel holder standpipe	1	#23	Elastic strap	8
#13	Farther hand wheel holder standpipe	1	#24	Inner alu. Pole	2
			#25	Outer alu. Pole	1