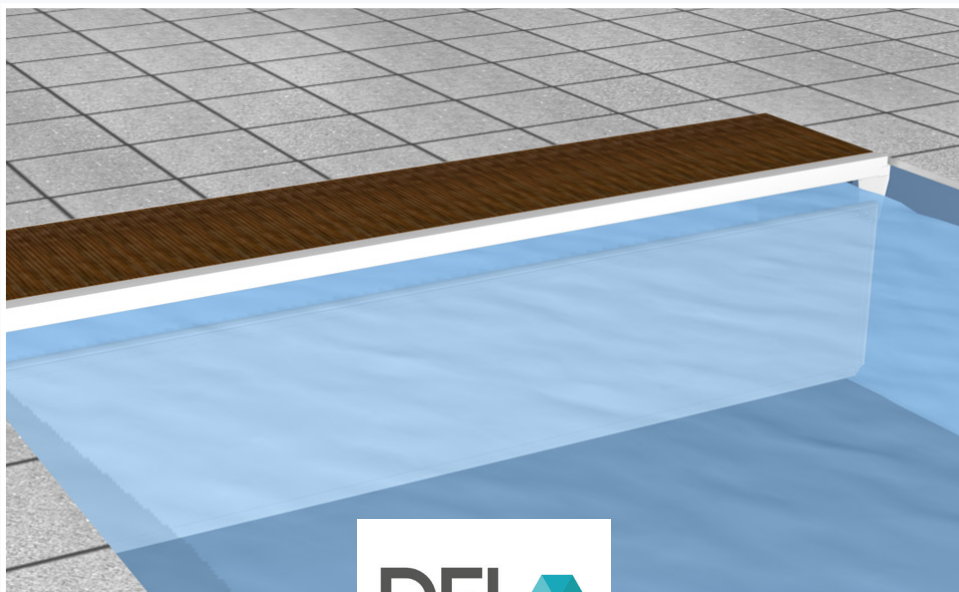


EN



# INSTALLATION GUIDELINES

INSTALLATION/SERVICING/MAINTENANCE/SAFETY ADVICE



DEL 

IN-GROUND POOL COVER

# SECURIWALL

---

# CONTENTS

## **PLEASE READ CAREFULLY AND KEEP FOR FUTURE REFERENCE**





Read this manual carefully to make sure you understand all the information and to ensure safe installation, use and maintenance. We accept no liability for any damage caused by failure to follow the instructions in this manual.

DESCRIPTION.....	p. 3
Components supplied .....	p. 3
Components supplied (hardware).....	p. 3
Tools required for assembly.....	p. 4
Packaging / Assembly .....	p. 4
INFORMATION.....	p. 5
Prerequisites .....	p. 5
INSTALLATION.....	p. 6
Positioning with 75 cm gratings .....	p. 6
Positioning with 90 cm gratings.....	p. 8
Positioning according to pool length .....	p. 10
Tracing .....	p. 12
Drilling.....	p. 13
Mounting plates .....	p. 14
Robotic anti-jam kit for scrubber .....	p. 15
Installing the wall.....	p. 16
Adjustment .....	p. 17
UPKEEP/MAINTENANCE.....	p. 18
Water level of the pool.....	p. 18
Filtering and treating the water.....	p. 18
Upkeep (the responsibility of the customer).....	p. 19
Maintenance .....	p. 19
Wintering.....	p. 20
Spare parts .....	p. 20
SAFETY TIPS.....	p. 21
RECYCLING .....	p. 22
WARRANTY CONDITIONS.....	p. 23

# DESCRIPTION



## COMPONENTS SUPPLIED

	Securiwall	x1
	Plate	x2
	Drilling template	x1
	Reinforcement	x2

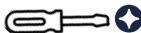


## COMPONENTS SUPPLIED (HARDWARE)





	Washer PL Ø8,4	x6
	Hexagonal nut M8	x6
	Dowel Ø12	x4
	Lag bolt M8x80	x4
	Base Ø32	x4
	Cap Ø17	x4
	Wood screws VBA M6x30	x2

# DESCRIPTION

## TOOLS REQUIRED FOR ASSEMBLY



	Phillips screwdriver
	Punch
	Ø12

	Tape measure
	Hammer
	Key No. 13
	Level

## PACKING LIST



example for a pool 5 m wide and 1.5 m deep:  
 1 package of 0.25 x 1.27 x 5 m  
 Total weight : 80 Kg

## ASSEMBLY





**2 persons**



**2 hours**

# INFORMATION

## PREREQUISITES

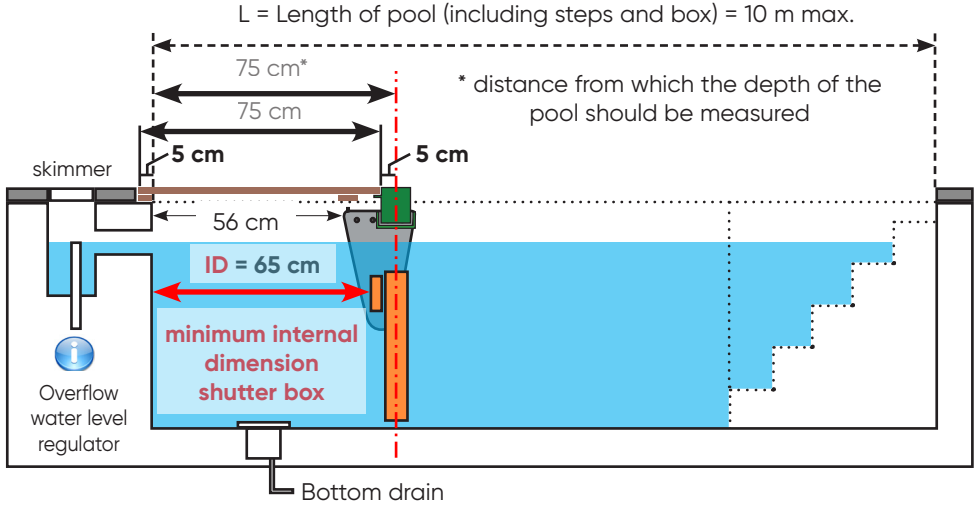
	<p>The water level must be maintained when the cover is installed. Refer to the maintenance section.</p>
	<p>Always wear safety equipment.</p>

**WE RECOMMEND READING ALL THE INSTALLATION STEPS BEFORE INSTALLING THE SYSTEM, TO AVOID UNNECESSARY HANDLING.**

# INSTALLATION

## POSITIONING WITH 75 CM GRATINGS

### STANDARD CASE: WITH RADII OR ANGLED CORNERS $\leq 10$ CM



# INSTALLATION

## ► SPECIFIC CASE WITH RADII OR ANGLED CORNERS > 10 CM

Calculate **l** to define **L** (see table)

$$l = 65 - R + 10$$

**L** = Length of pool (including steps and box) = see table



example with  $R = 15$  cm       $l = 60$  cm ( $65 - 15 + 10$ )

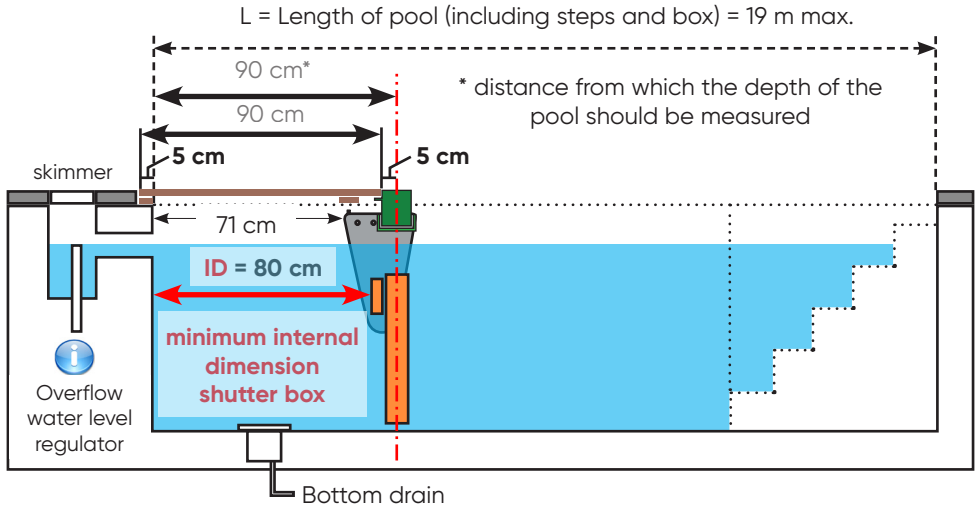
**L** = Length of pool (including steps and box) must be < 6 m.

<b>L</b> (m)	< 6	6 - 7	7 - 8	8-9	9-10	10-11	11-12	12-13	13-14	14-15	15-16	16-17
<b>l max</b> (cm)	55,8	57,4	59,8	62,1	65	66,4	68,4	70,3	72,2	74	75,8	77,5
<b>L</b> (m)	17-18	18-19	19-20	20-21	21-22	22-23	23-24	24-25	25-26	26-27	27-28	28-30
<b>l maxi</b> (cm)	79,1	80,7	82,3	83,9	85,4	86,9	88,3	89,7	91,1	92,5	93,8	96,5

# INSTALLATION

## POSITIONING WITH 90 CM GRATINGS

### STANDARD CASE: WITH RADII OR ANGLED CORNERS $\leq 10$ CM



# INSTALLATION

## ► SPECIFIC CASE WITH RADII OR ANGLED CORNERS > 10 CM

Calculate **l** to define **L** (see table)

$$l = 80 - R + 10$$

**L** = Length of pool (including steps and box) = see table



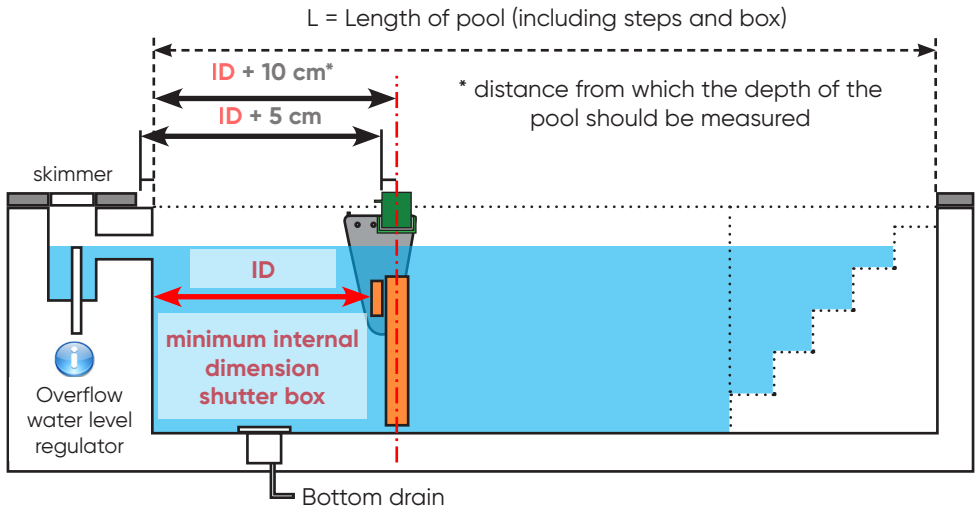
example with  $R = 15 \text{ cm}$   $l = 75 \text{ cm}$  ( $80 - 15 + 10$ )

**L** = Length of pool (including steps and box) must be  $< 16 \text{ m}$ .

<b>L</b> (m)	< 6	6 - 7	7 - 8	8-9	9-10	10-11	11-12	12-13	13-14	14-15	15-16	16-17
<b>l maxi</b> (cm)	<b>55,8</b>	<b>57,4</b>	<b>59,8</b>	<b>62,1</b>	<b>65</b>	<b>66,4</b>	<b>68,4</b>	<b>70,3</b>	<b>72,2</b>	<b>74</b>	<b>75,8</b>	<b>77,5</b>
<b>L</b> (m)	17-18	18-19	19-20	20-21	21-22	22-23	23-24	24-25	25-26	26-27	27-28	28-30
<b>l maxi</b> (cm)	<b>79,1</b>	<b>80,7</b>	<b>82,3</b>	<b>83,9</b>	<b>85,4</b>	<b>86,9</b>	<b>88,3</b>	<b>89,7</b>	<b>91,1</b>	<b>92,5</b>	<b>93,8</b>	<b>96,5</b>

# INSTALLATION

## POSITIONING ACCORDING TO POOL LENGTH



### STANDARD CASE: WITH RADII OR ANGLED CORNERS $\leq 10\text{ CM}$

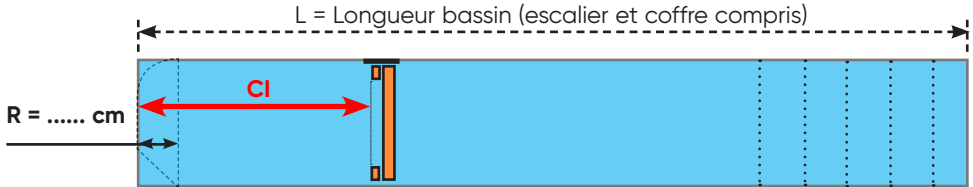
define  $ID$  :  $ID = l$  (see table)

# INSTALLATION

## SPECIFIC CASE WITH RADII OR ANGLED CORNERS > 10 CM

define **ID** :  $ID = l + R - 10$

define **l** as a function of **L** (see table)



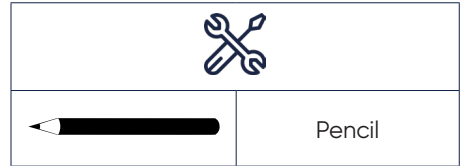
example with a 15 m long pool (including steps) with 20 cm radii.

$L = 15$        $R = 20$        $l = 74$  (tableau)       $ID = 74 + 20 - 10$        $ID = 84$  cm

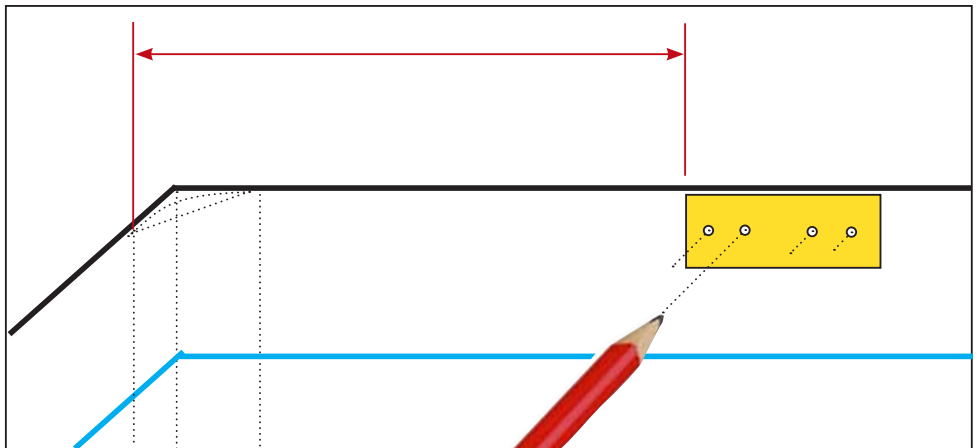
<b>L</b> (m)	< 6	6 - 7	7 - 8	8-9	9-10	10-11	11-12	12-13	13-14	14-15	15-16	16-17
<b>l maxi</b> (cm)	<b>55,8</b>	<b>57,4</b>	<b>59,8</b>	<b>62,1</b>	<b>65</b>	<b>66,4</b>	<b>68,4</b>	<b>70,3</b>	<b>72,2</b>	<b>74</b>	<b>75,8</b>	<b>77,5</b>
<b>L</b> (m)	17-18	18-19	19-20	20-21	21-22	22-23	23-24	24-25	25-26	26-27	27-28	28-30
<b>l maxi</b> (cm)	<b>79,1</b>	<b>80,7</b>	<b>82,3</b>	<b>83,9</b>	<b>85,4</b>	<b>86,9</b>	<b>88,3</b>	<b>89,7</b>	<b>91,1</b>	<b>92,5</b>	<b>93,8</b>	<b>96,5</b>

# INSTALLATION

## MARKING OUT ANGLES



## ANGLE VIF



with 75 cm grating  
ID = 65 cm

with 90 cm grating  
ID = 80 cm

depending on the length of  
the pool  
ID = see page 5





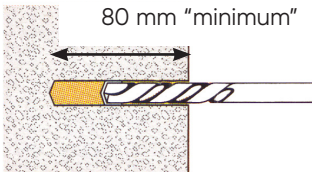
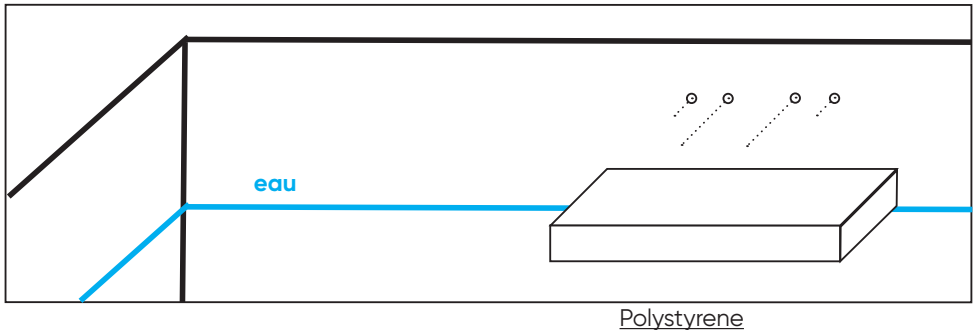
### Recommendations:

- Mark out the 2 sides of the shutter box.
- The base plate fixings must be above the water level.

# INSTALLATION

## DRILLING

	
	Punch
	Forest Ø12











### Recommendations:

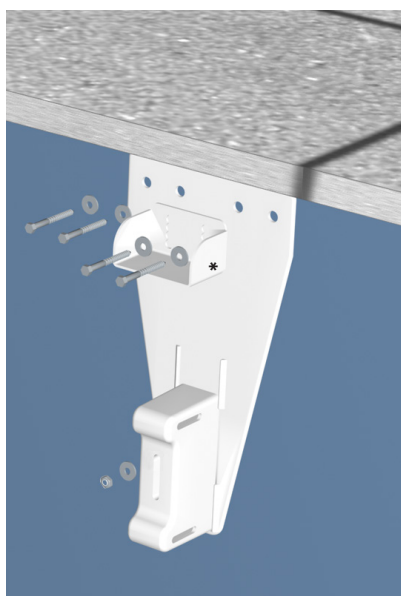
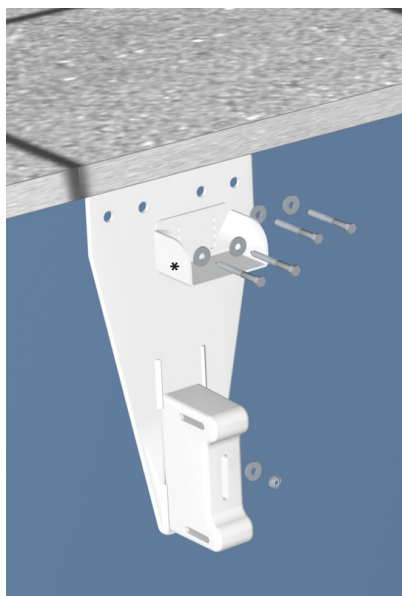
- Clean all holes thoroughly.
- **For filled pools, place a sheet of polystyrene or similar over the water to trap dust when drilling.**

# INSTALLATION

## MOUNTING PLATES

	
	Plate
	Washer PL Ø8,4
	Hexagonal nut M8
	Dowel Ø12
	Lag bolt M8x80

	
	Key No. 13


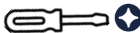



\* The beam support and its fixings are supplied separately.

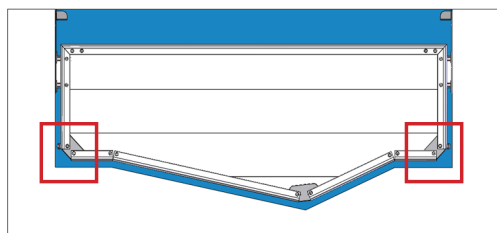
# INSTALLATION

## ROBOTIC ANTI-JAM KIT FOR SCRUBBER

	
	Base Ø32
	Cap Ø17
	VBA M6x30 Wood screws

	
	Screwdriver
	Tape measure

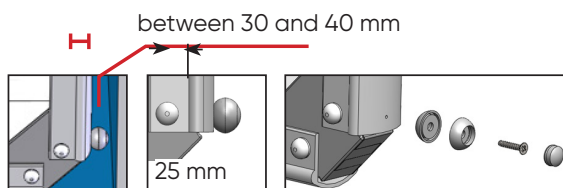
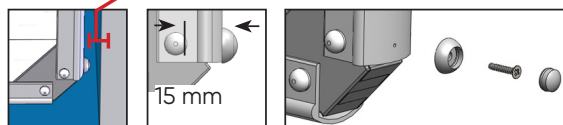
Kit to be installed to prevent the scrubber of a cleaning robot from getting stuck between the Sécuritéwall and the vertical wall.



between 20 and 30 mm


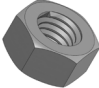




Scrubber

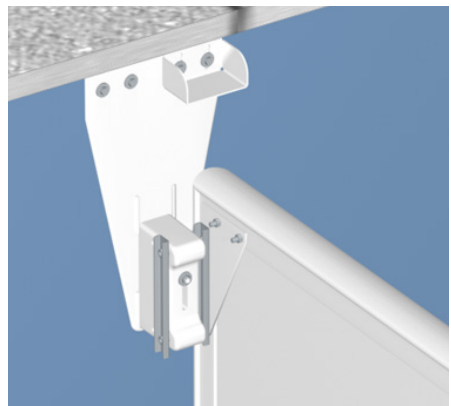
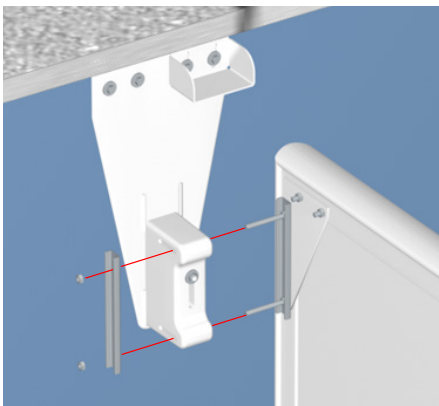
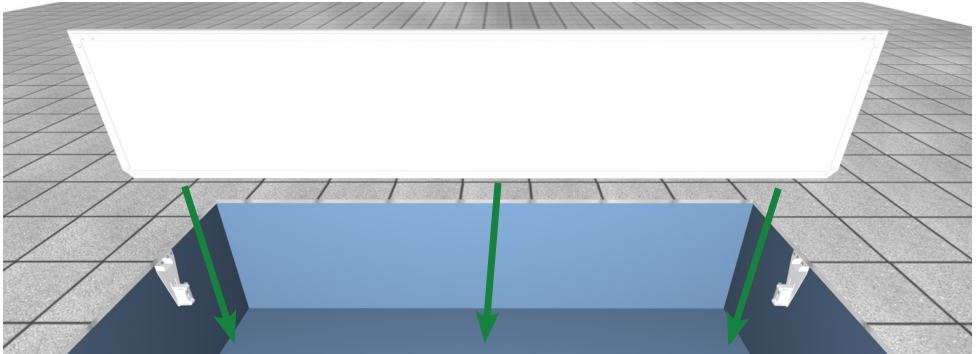


# INSTALLATION

## INSTALLING THE WALL

	
	Reinforcement
	Hexagonal nut M8

	
	Key No. 13

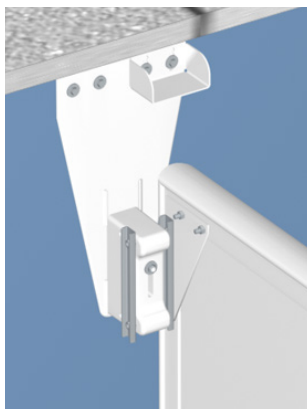
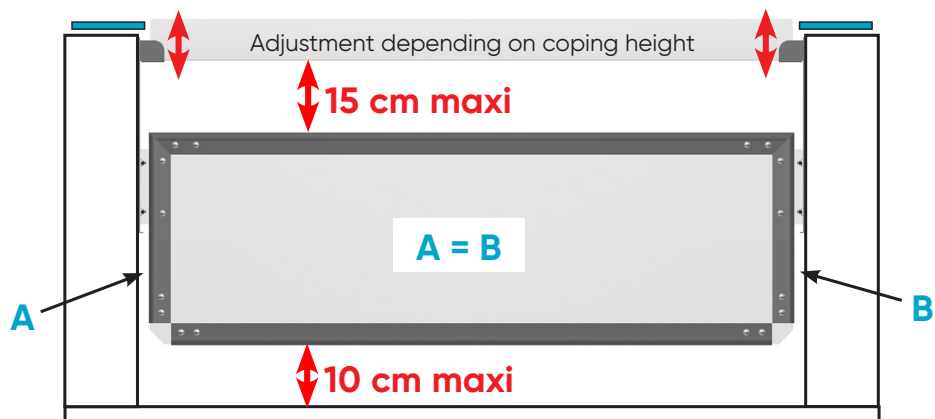


# INSTALLATION

## ADJUSTMENTS



Key No. 13



## SERVICING/MAINTENANCE



**During any intervention, the technician must wear PPE (personal protective equipment): gloves, goggles, mat, etc...**

### WATER LEVEL IN POOL

- In order to ensure maximum safety and correct operation of the rewinder, always check that the water level in the pool remains constant and complies with the manufacturer's requirements (for greater comfort, use an overflow and a water level regulator).
- A water level that is too high is due to the overflow being obstructed by leaves or other items.
- A water level that is too low means that there is a risk of blockage.
- In case of a recess or a handrail, the water level must be controlled by a level regulator.
- Complying with the recommended minimum and maximum water levels ensures proper operation and compliance with the requirements of standard NF P90-308.
- It is advisable to pay close attention to fluctuations in the water level. The most suitable method (to ensure both monitoring and the necessary corrections) is to combine an overflow system with automatic filling.
- The target water level is specific to each pool and depends on the overall configuration of the cover. It is necessary to combine the recommendations relating to the reel and its possible decking with those relating to safety locks and slats.
- The NF P90-308 standard requirements imply compliance with the recommendations throughout the year and therefore an active winterisation without lowering the water level is needed.
- The water level must be less than 7 cm below the deck; beyond this, please consult us.
- If a safety system is installed on the pool, refer to the recommended water level indicated for that system.

# SERVICING/MAINTENANCE

## WATER FILTRATION AND TREATMENT

- Programme filtration to take place at a time when the sun is shining on the pool and ensure that it is set to work all the time when the water reaches 25°C.
- In order to ensure that your installation will last, the water in the pool must be correctly treated in compliance with the applicable standards and recommendations (NF EN 16713-3).
- The pH, hardness and alkali levels of the water must be checked and adjusted as often as is necessary (although you will need to ensure that you don't correct these three parameters independently of each other but do so using the Taylor table and provide the water with balance with regard to the three parameters analysed).

## MAINTENANCE (AT CUSTOMER'S EXPENSE)

- In the event of damage, replace defective parts with original parts.

## MAINTENANCE (AT LEAST ONCE A YEAR)

- This product does not have any wear parts requiring replacement. However, if you notice that certain parts are deteriorating, ensure that they are replaced.
- After-sales service: contact details on back cover.

## SERVICING/MAINTENANCE

### WINTERING

- Position the cover in the closed position and keep the water level constant in accordance with the manufacturer's recommendations.

### SPARE PARTS

Online catalogue:



<https://www.my-cfgroup.fr/fr/pièces-detachées>

## SAFETY ADVICE

Please read the recommendations set out below with care.

### WARNING

**Swimming pools can represent a serious danger for your children. Drowning can happen very quickly.**

**Children who are close to a swimming pool need to be watched constantly and actively, even if they know how to swim.**

**Learn lifesaving skills.**

**The physical presence of an adult is absolutely essential whenever the pool is open.**



Memorise the telephone numbers for the emergency services and ensure that they are displayed close to the pool.

**☎ 18 (in France) or 112**

**FIRE SERVICE**

**☎ 15**

**AMBULANCE  
SERVICE**

(write the number that applies in your region)



**POISON CONTROL**

**CENTRE**

# RECYCLING

## PACKAGING



Dispose of the packaging in line with current rules and regulations.

## END OF LIFECYCLE



- Do not put your scrapped equipment or used batteries in with unsorted household waste.
- You are responsible for disposing of all of your waste, in particular electrical and electronic equipment by taking it to a collection point where recycling and valorisation are carried out.
- Certain products potentially contain substances that are dangerous for the environment, and you need to ensure that these are eliminated or neutralised.
- Make sure that you are aware of all existing recovery and collection systems.



discard the manual in line with the current regulations.



Addresses [at quefairedemesdechets.fr](http://quefairedemesdechets.fr)

## WARRANTY CONDITION

Log on to [www.del-piscine.fr](http://www.del-piscine.fr) to view all our warranties.



<https://www.del-piscine.fr/rechercher-une-garantie>

**DEL SAS**  
ZA LA BASSE CROIX ROUGE  
35530 BRÉCÉ - FRANCE

☎ +33 (0)9 70 72 5000 / INFO.FR@CF.GROUP

STAMP

A brand by CF group



ORIGINAL INSTRUCTIONS

A-DOTE05300.L1 / 01 2026